

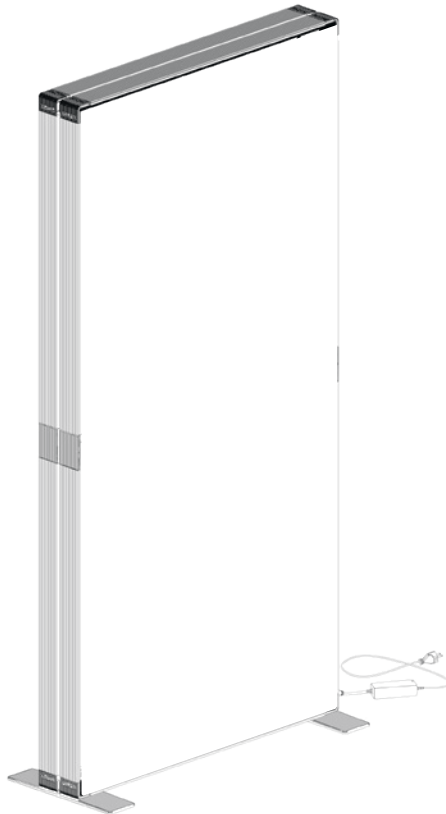
**156014**



**PIXLIP®**

# **GO LIGHTBOX 100225**

**Aufbauanleitung**  
User manual



**PIXLIP GO®**

[www.pixlipgo.com](http://www.pixlipgo.com)



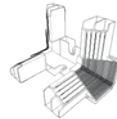
# KOMPONENTEN COMPONENTS



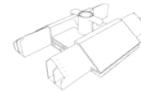
2×  
**Profil 900**  
Profile 900



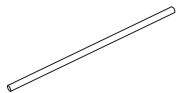
4×  
**Profil 1025**  
Profile 1025



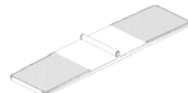
4×  
**Eckverbinder**  
Corner connector



2×  
**Strebenhalter**  
Strut holder



1×  
**Strebe 900**  
Strut 900



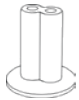
2×  
**Fußplatte**  
Base plate



8×  
**Print Clip**  
Print clip



6×  
**Verschlusskappe**  
Cover cap



2×  
**Systemverbinder Top**  
System connector top



1×  
**Systemverbinder Step**  
System connector step



2×  
**LED Modul**  
LED Module



1×  
**Netzgerät**  
Power supply



1×  
**Y-Kabel**  
Y-cable

## OPTIONAL



1×  
**Textil und Blockout**  
Textile and blockout

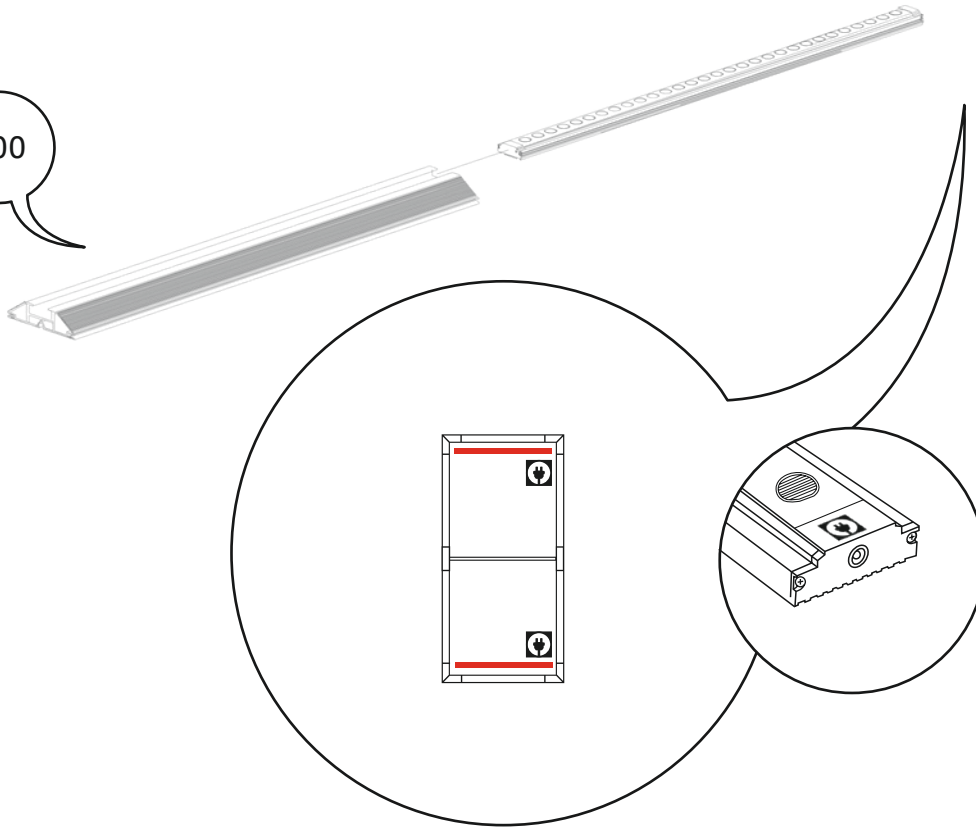


2×  
**Textil**  
Textile

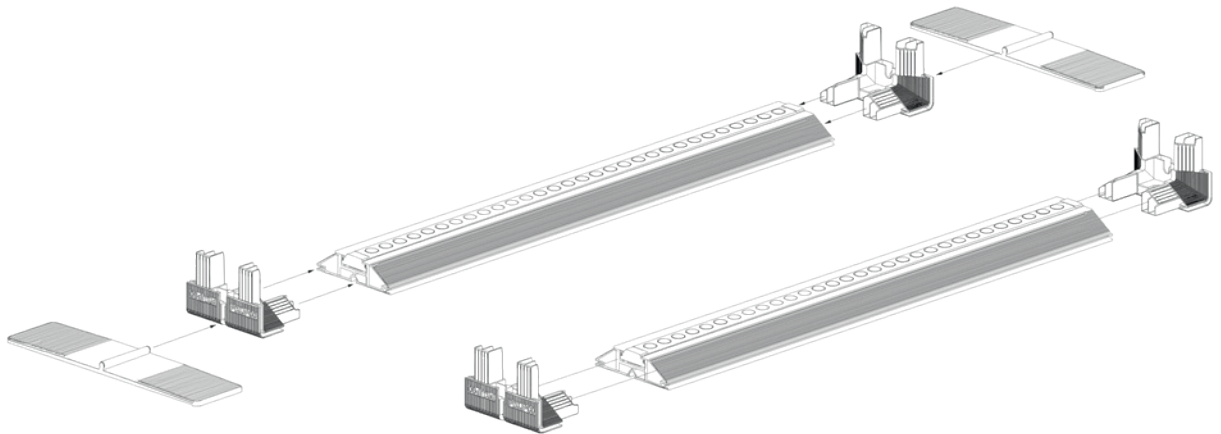
1

2 x

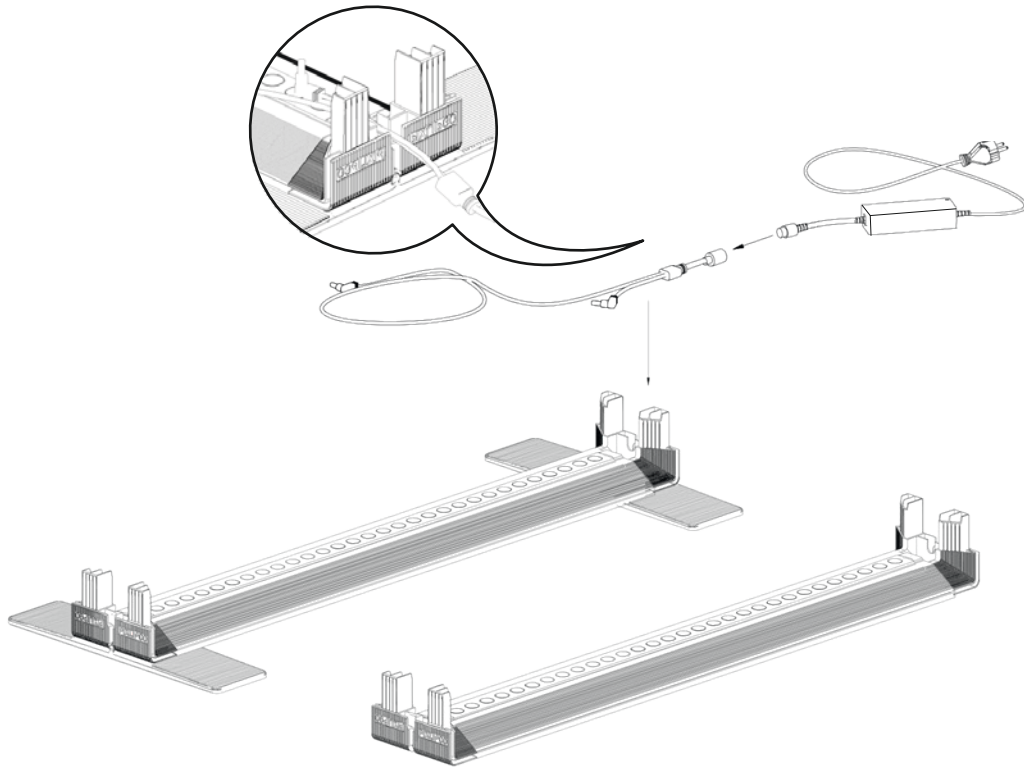
900



2

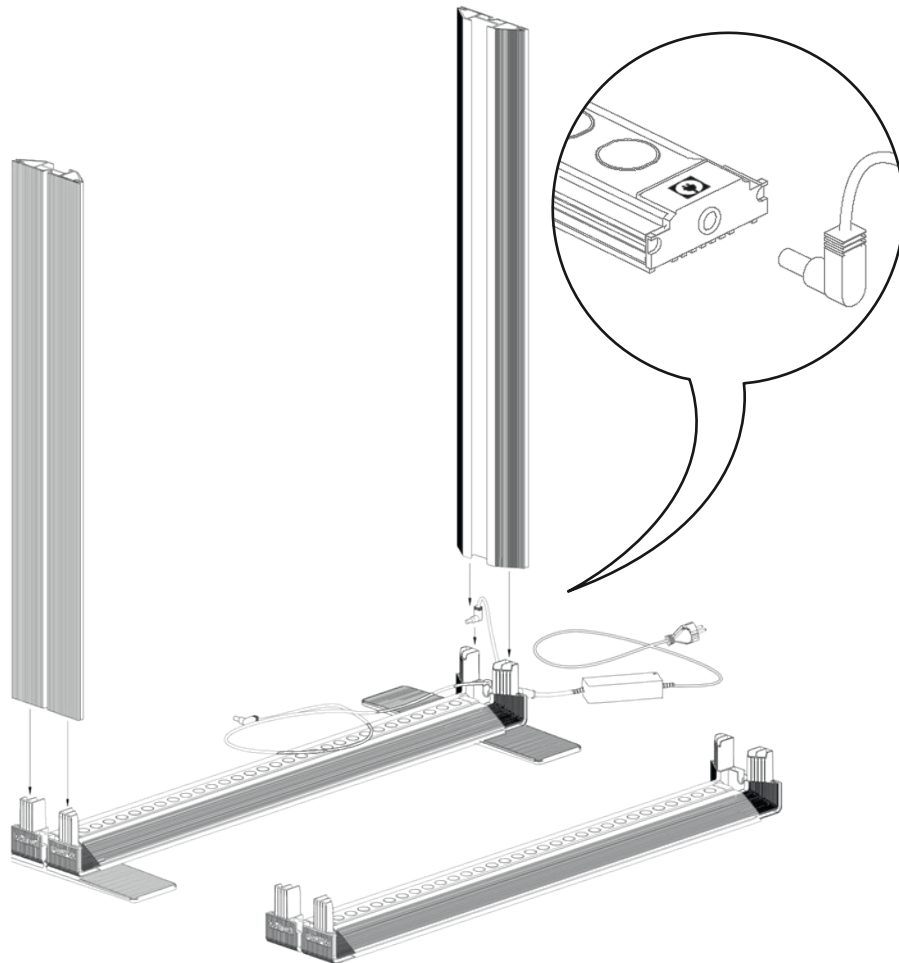


3

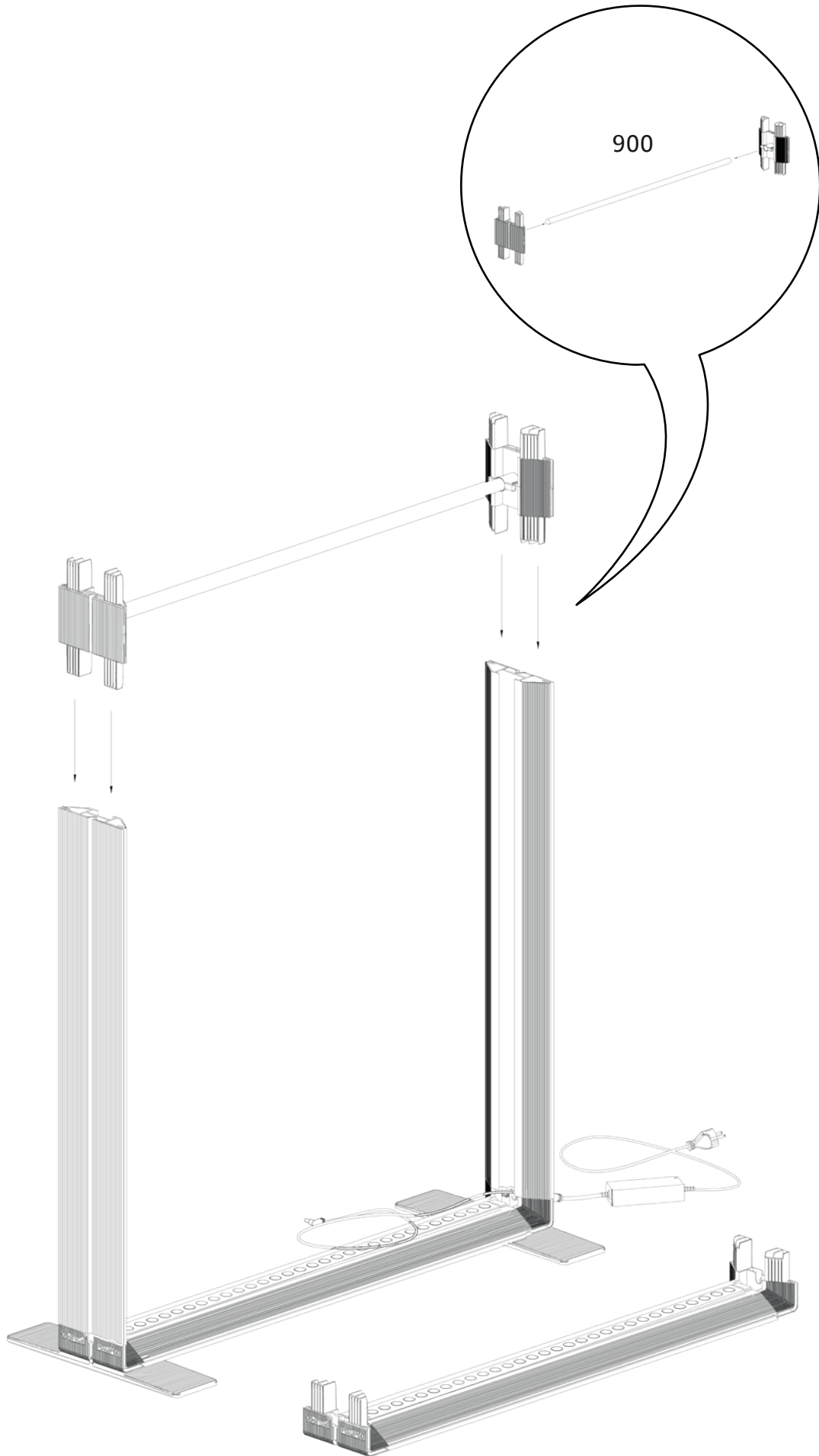


4

2 x  
1025

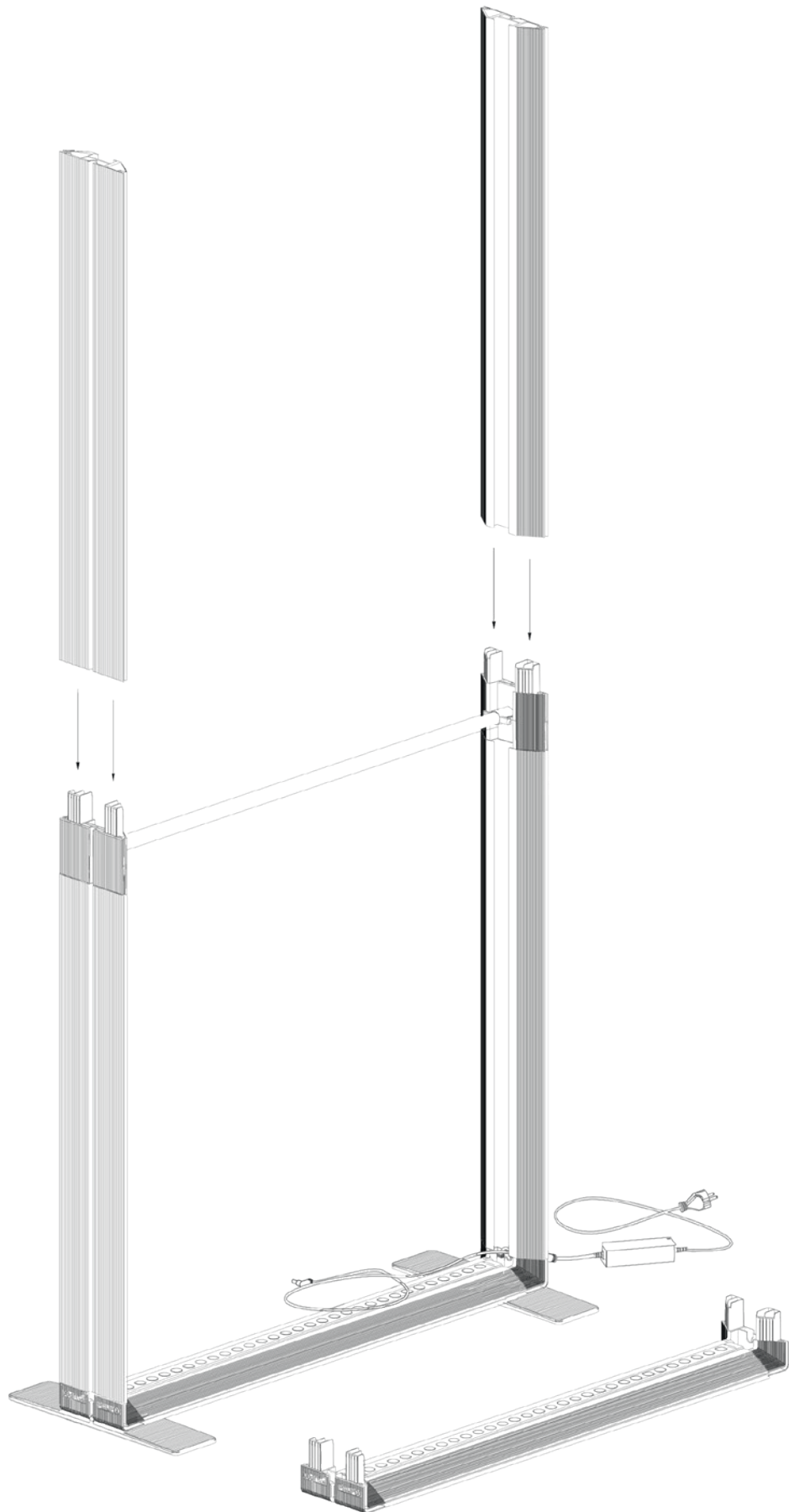


5

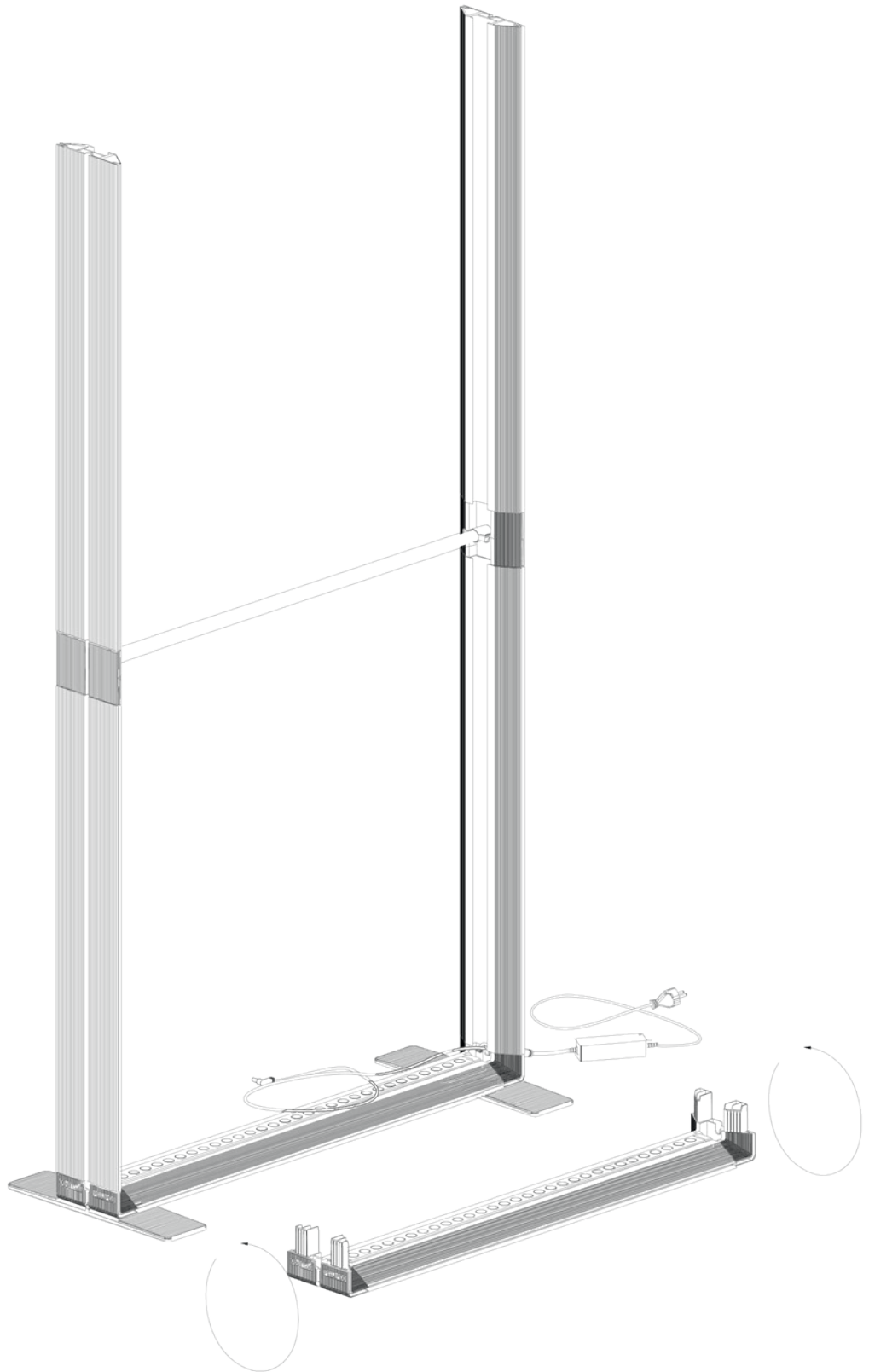


6

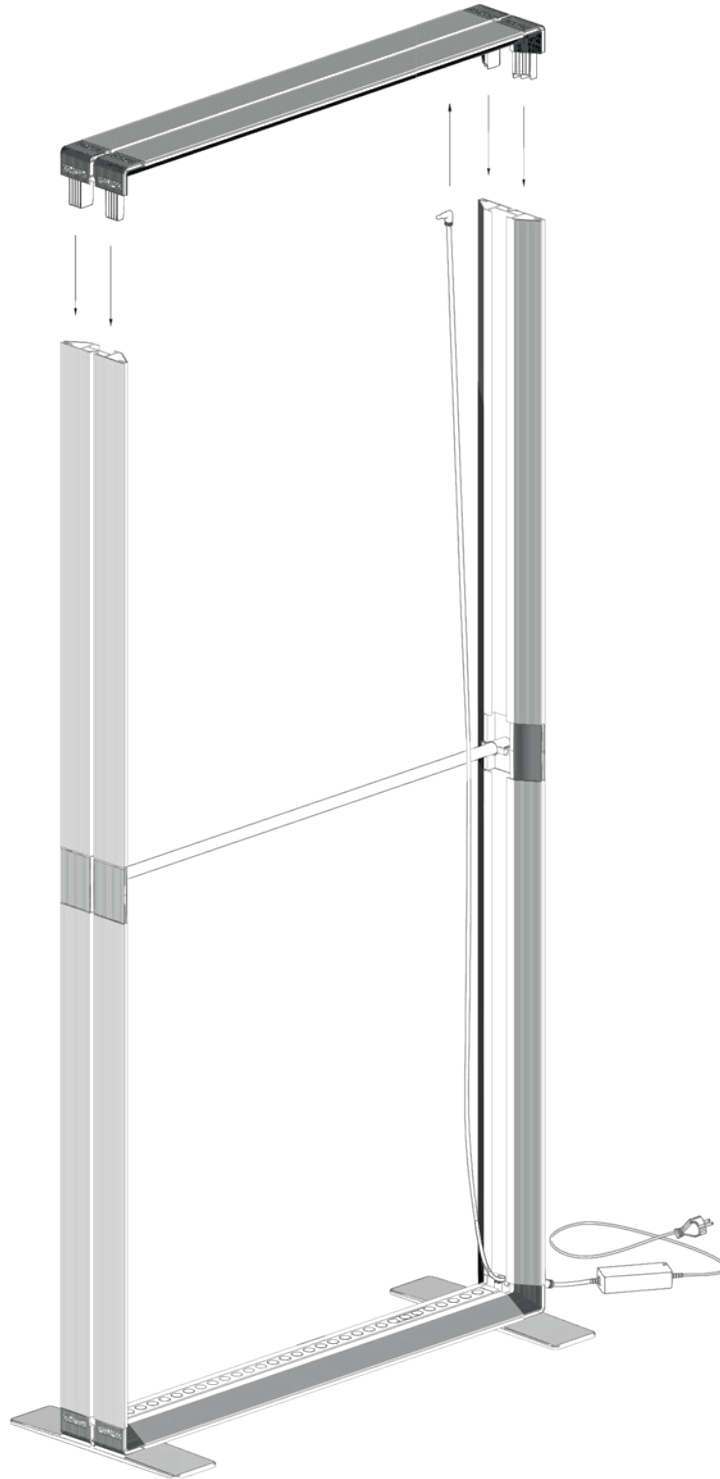
2 x  
1025



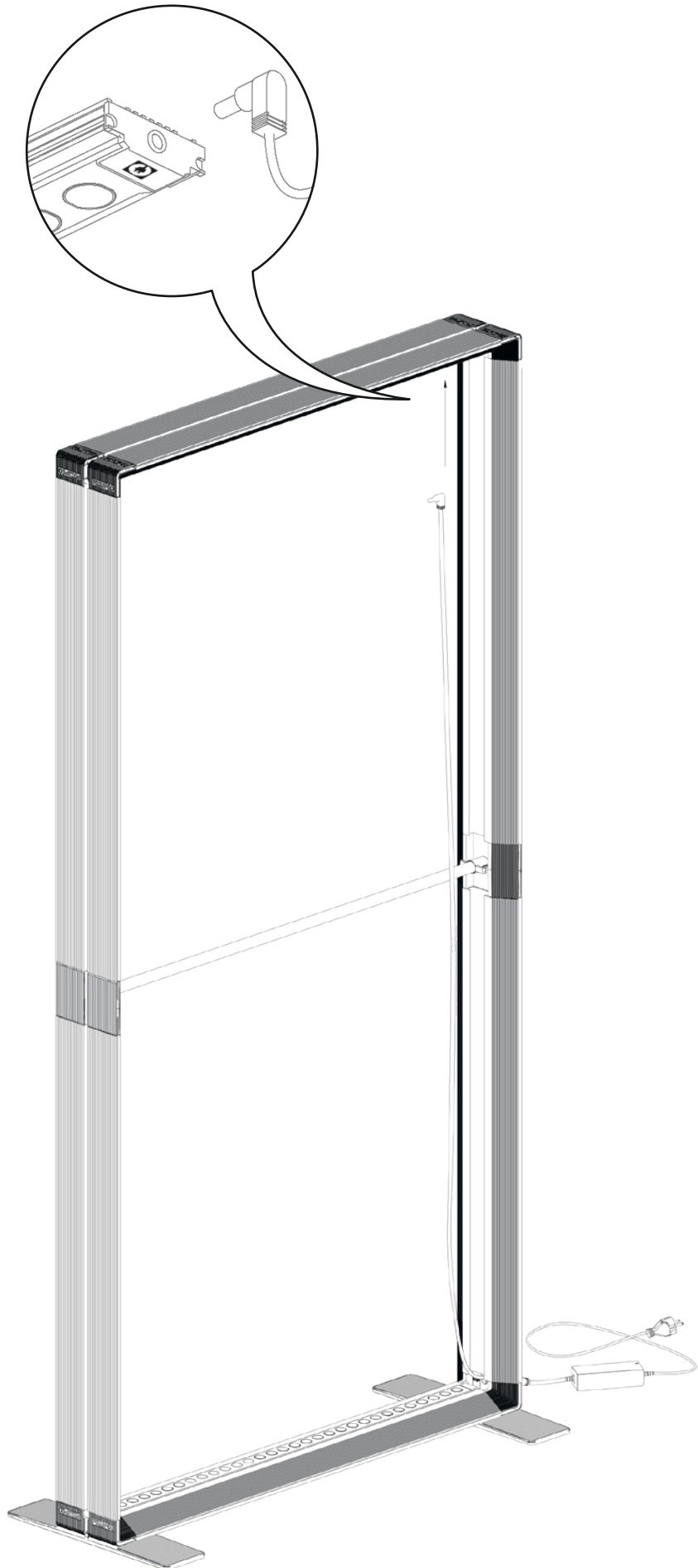
7

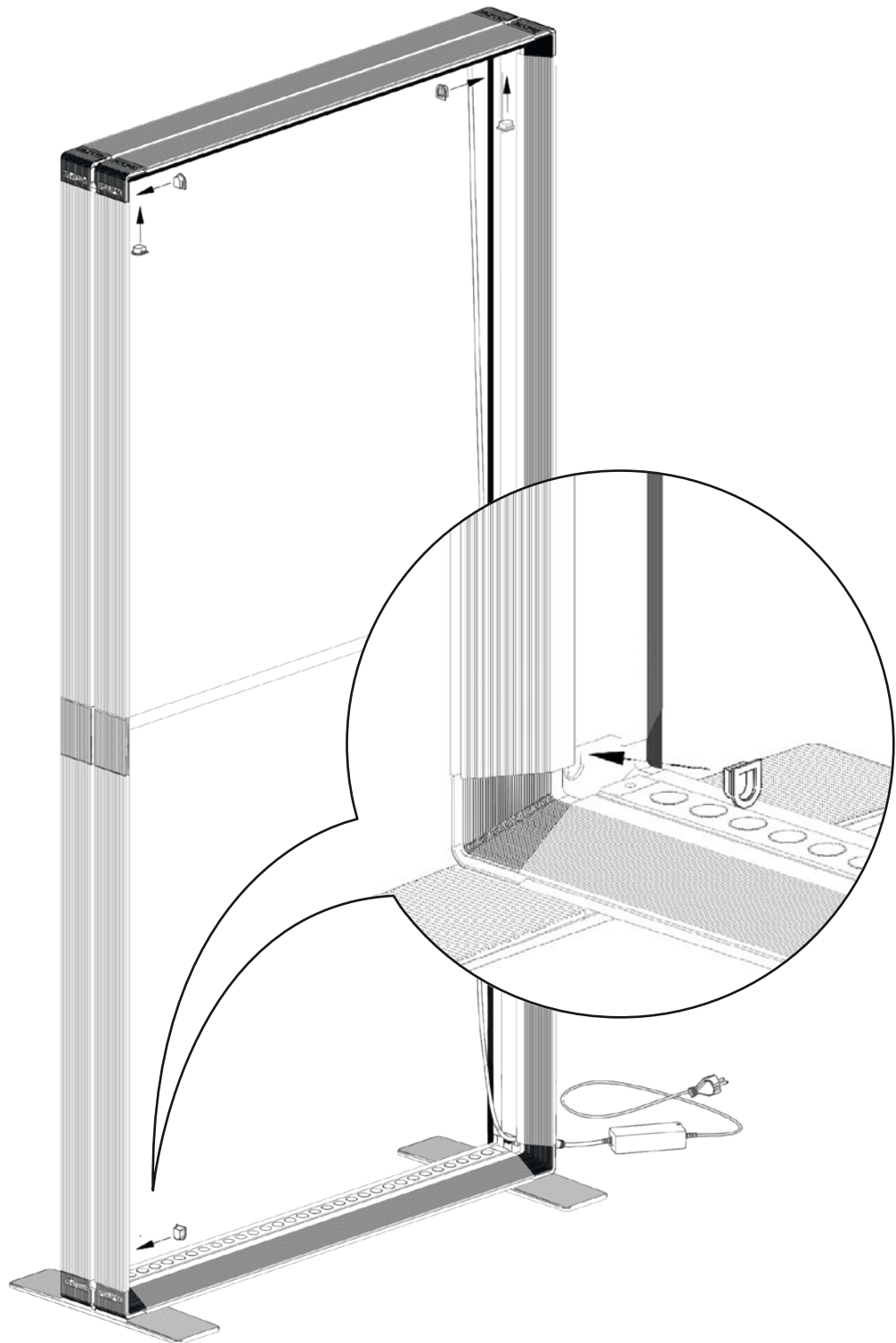


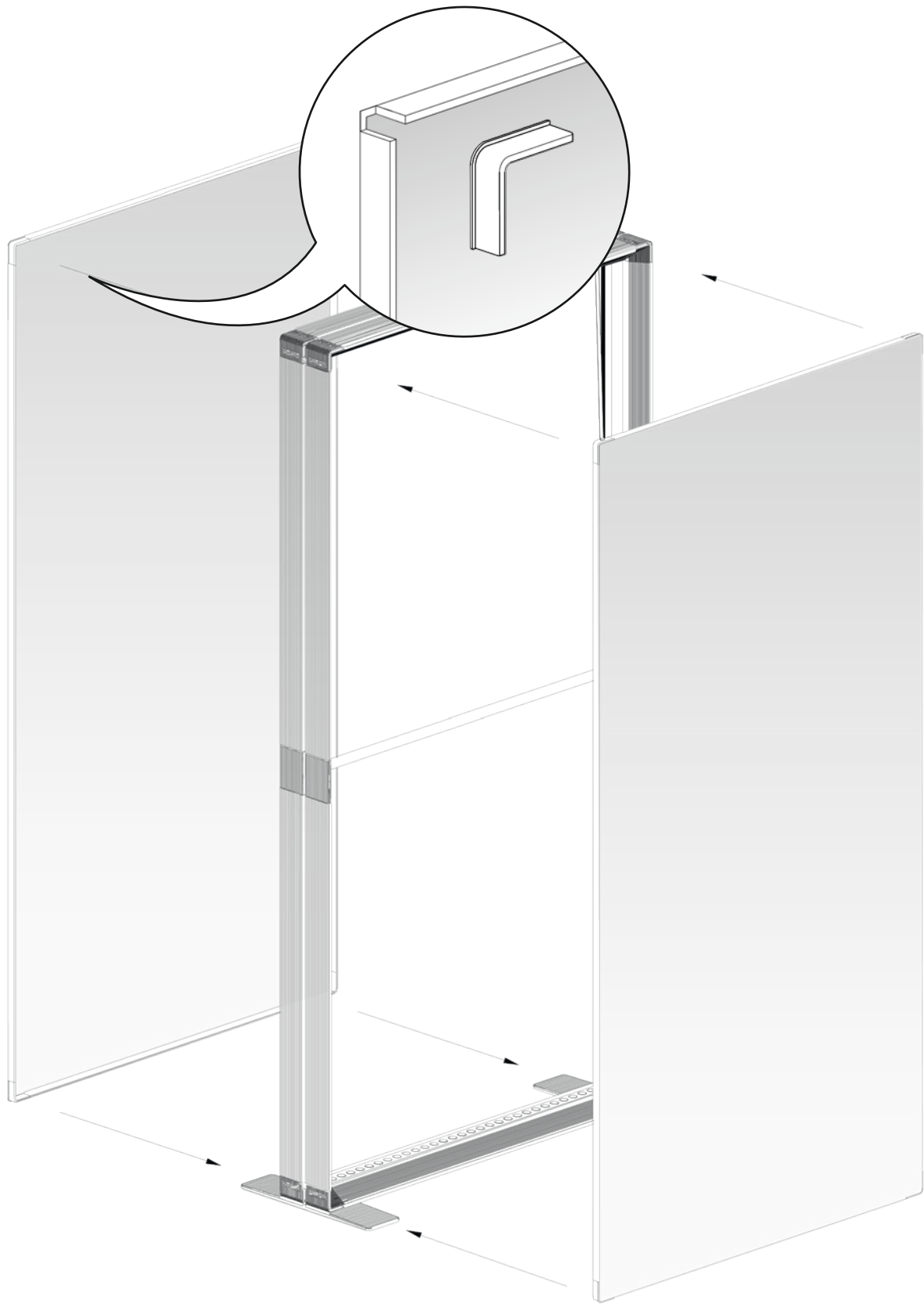




9









**OPTIONAL**





# PIXLIP®

**GO LIGHTBOX 100225**  
**AUFBAUANLEITUNG**  
USER MANUAL

© 2018

PIXLIP GmbH  
Raiffeisenstraße 17  
40764 Langenfeld  
Germany

[info@pixlip.com](mailto:info@pixlip.com)  
[www.pixlip.com](http://www.pixlip.com)  
[www.pixlipgo.com](http://www.pixlipgo.com)

[www.pixlipgo.com](http://www.pixlipgo.com)